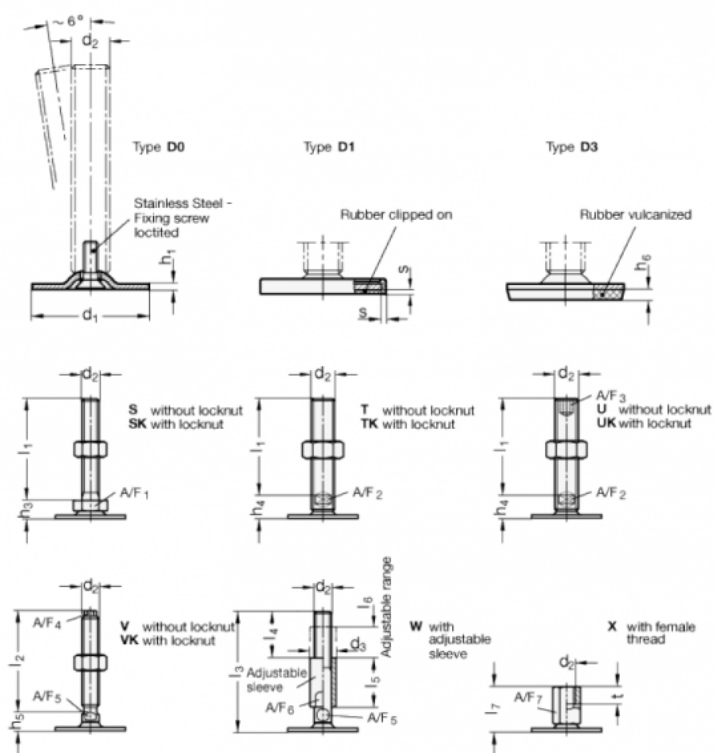


Article number: 204150M16200D3U

Description: E+G levelling foot
GN 41-50-M16-200-D3-U

Note: U Without nut, Hexagon socket at the top, Wrench flat at the bottom

Measures



A/F2 = 12

s =

A/F3 = 8

d1 = 50

d2 = M16

h1 = 2.5

h4 = 17

h6 = 4

l1 = 200